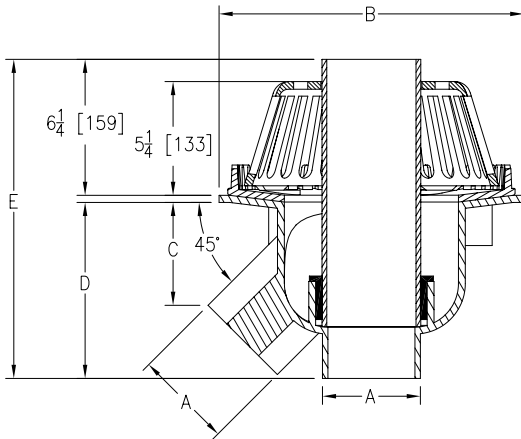


# 100C 15" DIAMETER DEEP SUMP DUAL OUTLET ROOF DRAIN - LOW SILHOUETTE DOME



## ENGINEERING SPECIFICATION

Bi-functional Froet Drain with 45° primary outlet connection. Powder coated cast iron deep sump body with combination membrane flashing clamp/gravel guard, overflow pipe (2", 3", 4", 5", 6", 8" [51mm, 76mm, 102mm, 127mm, 152mm, 203mm]) with standard 5-1/4" [133mm] high cast iron dome and 6-1/4" [159mm] high cast iron overflow.



PREFIXES	DESCRIPTION	PIPE SIZE	LIST PRICE
100C*	Froet 100C Bi- Functional Deep Sump Dual Outlet Roof Drain	2"	878.00
		3"	1,468.00
		4"	1,521.00
		5"	2,536.00
		6"	2,564.00
8"	6,706.00		

SUFFIXES	ADD	LIST PRICE	
-C	Underdeck Clamp	364.00	
-CFW	Control Flow Weir	684.00	
-DP	Deck Mounting Plate (2-1/4" Elevation)	790.00	
-DU	Cast Iron Dome on Overflow Pipe	2"	542.00
		3"	542.00
		4"	542.00
		5"	605.00
		6"	605.00
		8"	-
-E	Static Extensions (2", 4", 6")	2"	730.00
		4"	900.00
		6"	1,148.00

-ER1.5	Elevation Ring (1.5" of Insulation)	188.00
-ER2	Elevation Ring (2" of Insulation)	190.00
-LP	Low Profile Dome	N/C
-R	Roof Sump Reciever	523.00
-ULP	Ultra Low Profile Dome	N/C
-VEP	Vent Pipe	527.00
-84	Stainless Steel Perforated Gravel Guard	1,282.00

BEST SELLERS	LIST PRICE
100C4	1,521.00
100C4LP	1,521.00
100C6LP	2,564.00

Dimensions in inches [mm]					Approximate Weight lb [kg]	Dome Open Area sq in [cm <sup>2</sup> ]
A Pipe Size	B	C	D	E		
2 [51]	10-1/4 [260]	2-13/16 [71]	5 [127]	11-5/8 [295]	21 [6]	48 [310]
3 [76]	14 [356]	4-7/8 [124]	6-7/8 [175]	13-1/2 [343]	47 [21]	90 [581]
4 [102]	14 [356]	4-7/8 [124]	8 [203]	14-5/8 [371]	53 [24]	90 [581]
5 [127]	18 [457]	5-1/2 [140]	10-1/4 [260]	16-7/8 [429]	83 [38]	127 [819]
6 [152]	18 [457]	5-1/2 [140]	11-1/4 [286]	17-7/8 [454]	89 [40]	127 [819]
8 [203]	25 [635]	8-1/4 [210]	13-3/4 [349]	20-3/8 [518]	122 [55]	203 [1310]

\*Regularly furnished unless otherwise specified.

Items designated as Best Sellers are most specified and are generally in stock for shipment.

🕒 This symbol denotes a product that is engineered to reduce installation and rework time.

Supplied By:

**COMMERCIAL PLUMBING  
SUPPLY**

**877-903-7246**

[www.commercialplumbingsupply.com](http://www.commercialplumbingsupply.com)